

DESCRIPTION

AMC MODEL SWN-1140-4DT-STANDARD WITH OPTIONS: 218, B08-LVTCOM, B01-12V, B07+12V, AVT IS A SP4T SWITCH WITH A FREQUENCY RANGE OF 2 TO 18 GHz, INSERTION LOSS OF 3.75 dB MAXIMUM AND ISOLATION OF 60 dB MINIMUM.

SPECIFICATIONS

- FREQUENCY RANGE: 2 TO 18 GHz
- INSERTION LOSS: 3.75 dB MAXIMUM
- ISOLATION: 60 dB MINIMUM
- VSWR: 2.0:1 IN/OUT
2.0:1 OUT/OFF
- SPEED: RISE: 30 nSec MAXIMUM
FALL: 30 nSec MAXIMUM
DELAY ON: 200 nSec MAXIMUM
DELAY OFF: 200 nSec MAXIMUM
- POWER INPUT: +20 dBm MAXIMUM
- SURVIVAL POWER: 1 WATT CW, 10 WATTS PEAK, 1 μ Sec
- CONTROL: TTL LOGIC "1" = ON
- POWER SUPPLY: +12V @ 100 mA MAXIMUM
-12V @ 100 mA MAXIMUM

OPTIONS

- 218: 2 TO 18 GHz FREQUENCY RANGE
- B08-LVTCOM: ULTRA LOW VIDEO TRANSIENTS IN COMMON PORT
- B01-12V: -12 VOLT SUPPLY
- B07+12V: +12 VOLT SUPPLY
- AVT: SUPPLY TEST DATA AT -55°C, 25°C, AND 85°C

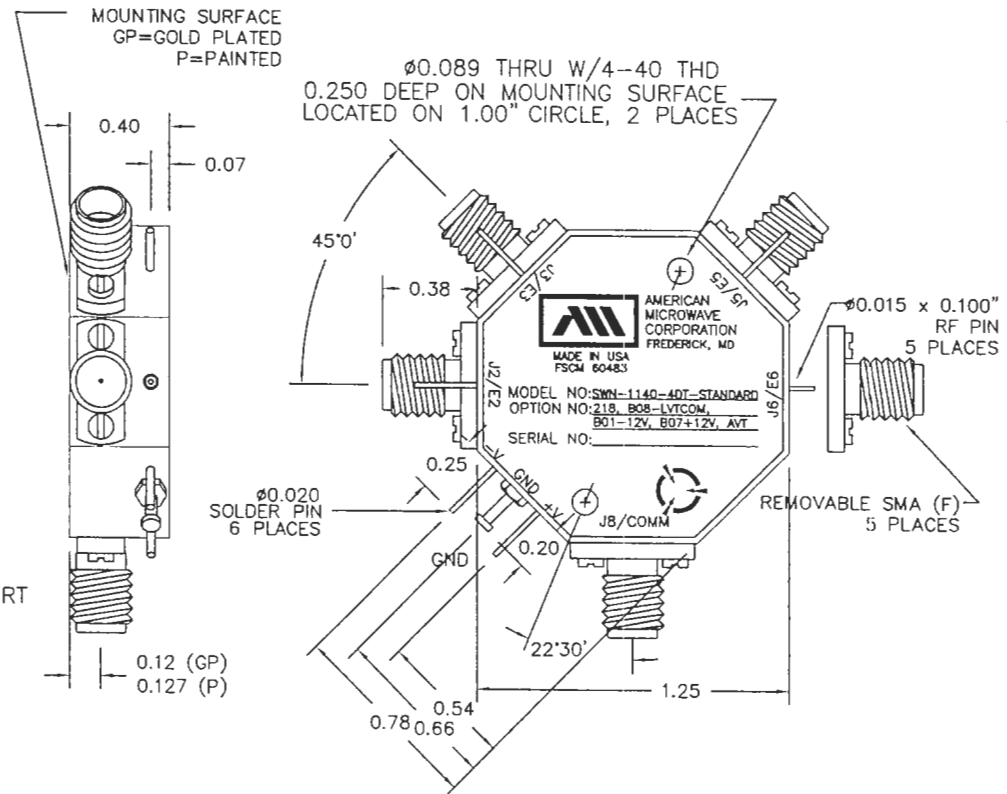
ENVIRONMENTAL RATINGS

- TEMPERATURE -55°C TO +85°C (OPERATING)
-65°C TO +125°C (STORAGE)
- HUMIDITY MIL-STD-202F, METHOD 103B COND. B
- SHOCK MIL-STD-202F, METHOD 213B COND. B
- VIBRATION MIL-STD-202F, METHOD 204D COND. B
- ALTITUDE MIL-STD-202F, METHOD 105C COND. B
- TEMPERATURE CYCLE MIL-STD-202F, METHOD 107D COND. A

NOTE: SPECIFICATIONS WILL VARY OVER OPERATING TEMPERATURE
NOTE: THE ABOVE SPECIFICATIONS ARE SUBJECT TO CHANGE OR REVISION

ALL DIMENSIONS ARE IN INCHES
TOLERANCES:
X.XX \pm 0.020
X.XXX \pm 0.010

REVISIONS				
ZONE	REV.	DESCRIPTION	DATE	APPROVED
-		ORIGINAL RELEASE JOB# 405088X	5/17/04	



AMERICAN MICROWAVE CORPORATION

7311-G GROVE ROAD
FREDERICK, MARYLAND 21704 USA
TEL: 301-662-4700 FAX: 301-662-4938
WEBSITE: www.americanmicrowavecorp.com
E-MAIL: sales@americanmicrowavecorp.com
ISO 9001:2000 CERTIFIED



APPROVALS		DATE	TITLE				REV.
DRAWN	<i>JDJ</i>	5/17/04	PRODUCT FEATURE SWN-1140-4DT-STANDARD OPTION: 218, B08-LVTCOM, B01-12V, B07+12V, AVT 2 TO 18 GHz ABSORPTIVE, SINGLE POLE FOUR THROW SWITCH				-
REDRAWN	<i>JDJ</i>	8/10/04	SIZE	FSCM NO.	DWG NO.		
ISSUED	<i>lh</i>	8/31/04	A	60483	100-6994		
			SCALE	N:S	SHEET		1 OF 3